



Ergonomics to go

# JumboFlex Picker

[WWW.SCHMALZ.COM/JUMBOFLEX-PICKER](http://WWW.SCHMALZ.COM/JUMBOFLEX-PICKER)

- ▶ Ergonomic handling with the vacuum tube lifter JumboFlex
- ▼ Mobile and universally applicable with changing industrial trucks



# Ergonomics to go – The JumboFlex Picker

The unique ergonomics and safety of the Schmalz vacuum tube lifters is now also available for mobile use. The JumboFlex Picker can be transported with any standard industrial truck and is therefore the ideal picking solution for packages weighing up to 50 kg – regardless of the location.



Watch product video



**Quickly ready to use**  
In a few seconds at the next operation site



**Ergonomic**  
Intuitive JumboFlex one-hand operation



**Enduring**  
Up to 6 hours of continuous handling without interruption

# Vacuum Tube Lifter JumboFlex Picker

Mobile order picking of packages up to 50 kg

## APPLICATIONS

- Picking mixed pallets from unmixed pallets for onward transport to stores
- Stacking of pallets for distribution to different storage locations or further processing locations
- Suitable as an internal goods distribution solution
- Optimal for use with block or floor storage

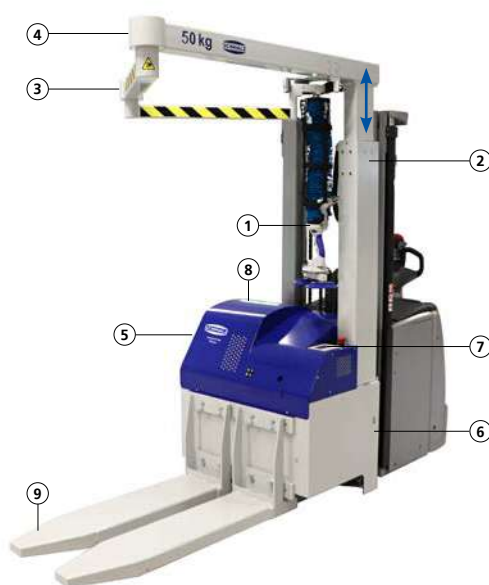


Short fork arms for one pallet



Long fork arms for two pallets

## DESIGN



- ① Vacuum tube lifter JumboFlex with 35 kg or 50 kg load capacity and approx. 1,300 mm stroke
- ② Height adjustable column to increase the maximum gripping height up to 1,800 mm
- ③ Smooth running articulated jib crane with 360° operating action radius and approx. 1,600 mm length
- ④ Fixed element for extending the articulated arm by approx. 1,500 mm in length
- ⑤ View optimized basic module with control technology and vacuum generation
- ⑥ High performance 24V battery with easy change possibility
- ⑦ Integrated touch display for controlling the system
- ⑧ Colored LED band for status indication and additional acoustic warning in case of danger
- ⑨ Fork arms for one or two pallets in different versions (EPAL/GMA)

# Vacuum Tube Lifter JumboFlex Picker

## Product Highlights



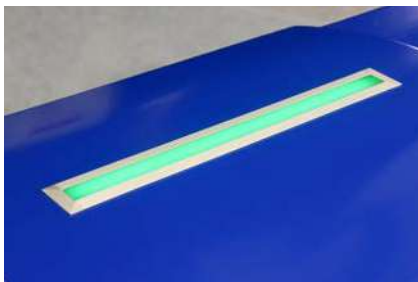
The clearly arranged touch display with soft keys enables simple and intuitive operation.



The support feet extend automatically after the jib is unlocked, minimizing cycle times.



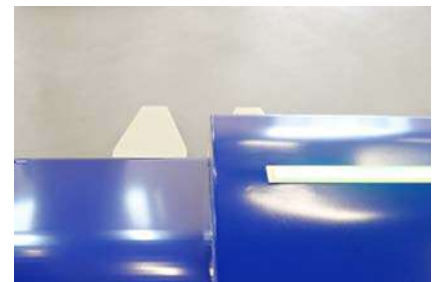
The tube lifter is started at the push of a button. It can be combined with various quick-change grippers.



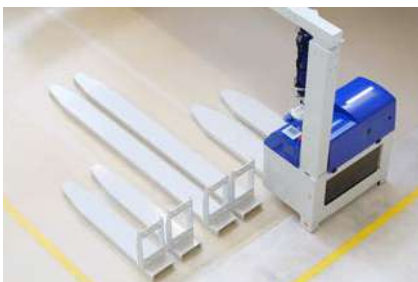
A status LED provides clearly visible information on the current operating status.



A magnetic switch fixes the jib in a safe parking position during transport.



Optimized view of the forks due to lowered base body cover.



Compatible with any forklift vehicle thanks to different fork shoe variants.



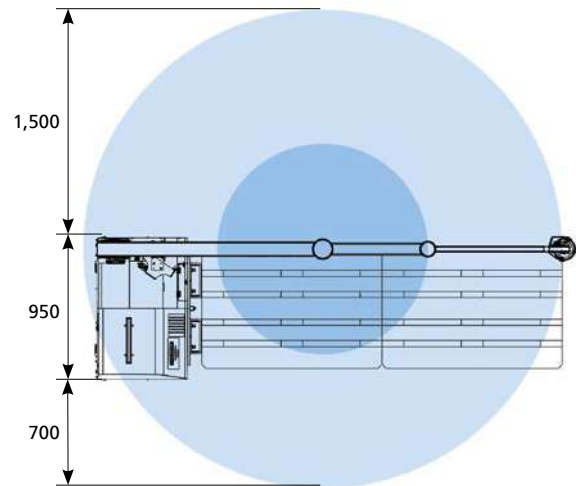
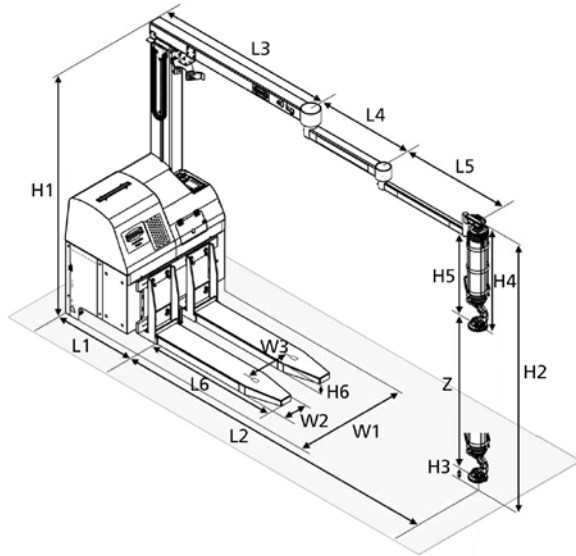
Standard 24V battery for continuous operation of the system up to 6 hours.



The battery can be charged in the device and also changed in approx. 10 – 15 minutes for multi-shift operation.

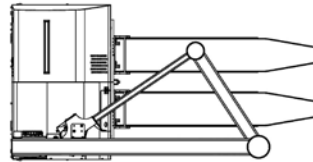
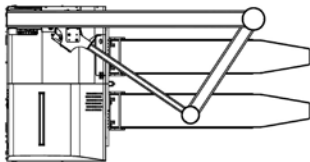
# Vacuum Tube Lifter JumboFlex Picker

## Technical Data



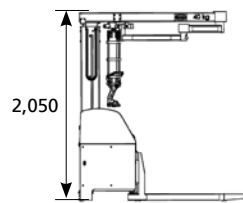
JumboFlex Picker

Operating range articulated jib in mm

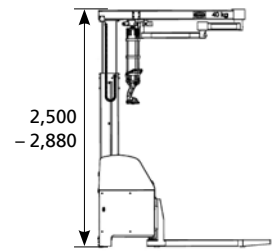


Left-hand drive

Right-hand-drive



Height lifting column in mm, in parking position (e.g. for passing through gates)



Height lifting column in mm, ready for use

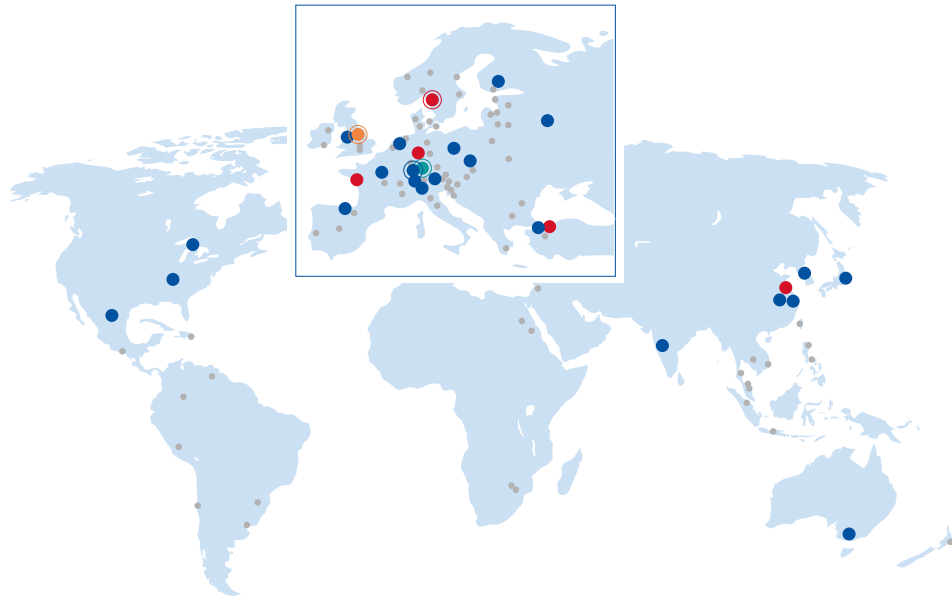
Type	Dimensions in mm									Weight [kg]
	L1	L2	L3	L4	L5	W1	H4	H5		
JumboFlex Picker	710	2.400	1.500	700	910	950	910	730	900	

Type	Dimensions in mm									
	Z	H3		H1			H2			Operation max.
		Operation min.	Operation max.	Parking position	Operation min.	Operation max.	Parking position	Operation min.		
JumboFlex Picker	1.300	130 - 1.430	510 - 1.810	2.050	2.500	2.880	1.890	2.340	2.720	

Type	Dimensions in mm			
	W2	W3	L6	H6
Fork arms EPAL	196	270 - 535	1.150 / 2.350	70
Fork arms GMA	260	330 - 485	1.150 / 2.350	70

Note: All dimensions are approximate. The values given refer to standard round gripper. The actual values may deviate due to the use of other grippers. The general tolerance for lifting hoses is +/- 50 mm. The support height on the vehicle must be added to the specified values.

## The Schmalz Group – Worldwide On Site



● Germany – Glatten

● International companies:

- Australia – Melbourne
- Austria – Pasching
- Benelux – Hengelo (NL)
- Canada – Mississauga
- China – Shanghai
- China – Taicang
- Czech Republic – Hranice
- Finland – Vantaa
- France – Champs-sur-Marne
- India – Pune
- Italy – Galliate (NO)

● Sales partners

- Japan – Yokohama
- Mexico – Querétaro
- Poland – Komorniki (Poznan)
- Russia – Moscow
- South Korea – Anyang
- Spain – Erandio (Vizcaya)
- Switzerland – Nürensdorf
- Turkey – Istanbul
- United Kingdom – Manchester
- USA – Raleigh (NC)



● Sweden – Trollhättan

● International companies:

- China – Shanghai
- France – La Haie-Fouassière
- Germany – Staufenberg
- Turkey – Ataşehir-Istanbul



● United Kingdom – Chesterfield



● Germany – Stuttgart

### Vacuum Automation

[WWW.SCHMALZ.COM/AUTOMATION](http://WWW.SCHMALZ.COM/AUTOMATION)

### Handling Systems

[WWW.SCHMALZ.COM/HANDLING-SYSTEMS](http://WWW.SCHMALZ.COM/HANDLING-SYSTEMS)

#### J. Schmalz GmbH

Johannes-Schmalz-Str. 1  
72293 Glatten, Germany  
T: +49 7443 2403-0  
schmalz@schmalz.de  
WWW.SCHMALZ.COM



schmalz.vacuumtechnology



schmalz\_group



schmalzmediacenter



schmalz



j-schmalzgmbh



schmalz\_de